

Brand ZUCCHETTI

n/a

## PAN S

ZPA432.190E 2 hole built-in single lever basin mixer



2 hole built-in single lever basin mixer with aerator.  
Spout projection 7 1/2".  
Water flow restricted, 1,2 GPM.

R96720.190E

Built in part



Brand ZUCCHETTI

n/a

## PAN S

ZPA432.190E

### Finishes



Chrome



Brushed Nickel

**C3**



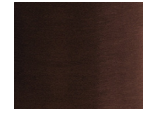
Brushed Metal Black

**C51**



Matt black

**N6**



PVD brushed chocolate

**P21**



Brushed PVD British gold

**P31**



Brushed total black PVD

**P81**



Glossy gesso

**J3**



Pearl cipria

**K7**



Pearl chili

**R6**



Pearl salvia

**V7**



Matt mirto

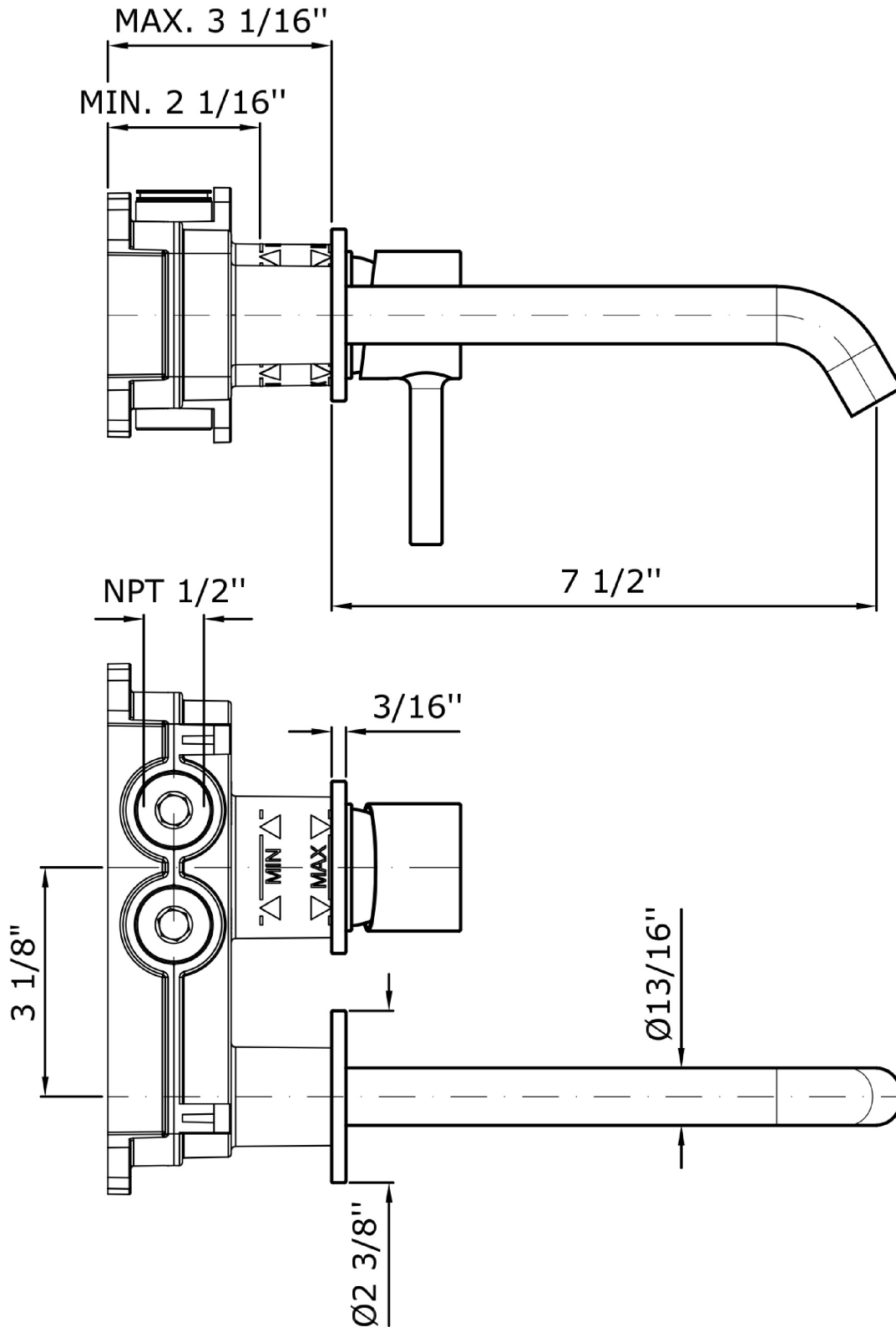
**V8**

### Note / Notes

LOW LEAD

## PAN S

ZPA432.190E Overall Drawing



Brand ZUCCHETTI

n/a

## PAN S

### ZPA432.190E Weights and Sizes

Weight ( lb )	0,85 ( Kg )	1,87 ( lb )
Volume test ( dc3 ) - ( in3 )	4,05 ( dc3 )	247,15 ( in3 )
h ( mm ) - ( in )	70,00 ( mm )	2,76 ( in )
L1 ( mm ) - ( in )	150,00 ( mm )	5,91 ( in )
L2 ( mm ) - ( in )	385,00 ( mm )	15,16 ( in )

