

PAN S

ZPA431

Miscelatore monocomando lavabo incasso 2 fori. / 2 hole built-in single lever basin mixer.



Miscelatore monocomando lavabo incasso 2 fori, con aeratore. Lunghezza bocca 220 mm.
Water Saving - portata d'acqua uguale o inferiore a 6 l/min.

2 hole built-in single lever basin mixer with aerator. Spout projection 220 mm.
Water Saving - water flow rate of 6 l/min or less.

R96720

Parte incasso / Built-in part



PAN S

ZPA431

Finiture / Finishes

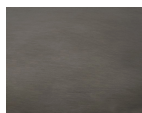


Cromo / Chrome



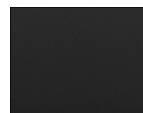
C3

Nickel Spazzolato / Brushed Nickel



C51

Metal Black spazzolato / Brushed Metal Black



N6

Nero opaco / Matt black



P21

PVD brushed chocolate / PVD brushed chocolate



P31

Brushed PVD British gold / Brushed PVD British gold



P81

Brushed total black PVD / Brushed total black PVD



J3

Glossy gesso / Glossy gesso



K7

Pearl cipria / Pearl cipria



R6

Pearl chili / Pearl chili



V7

Pearl salvia / Pearl salvia



V8

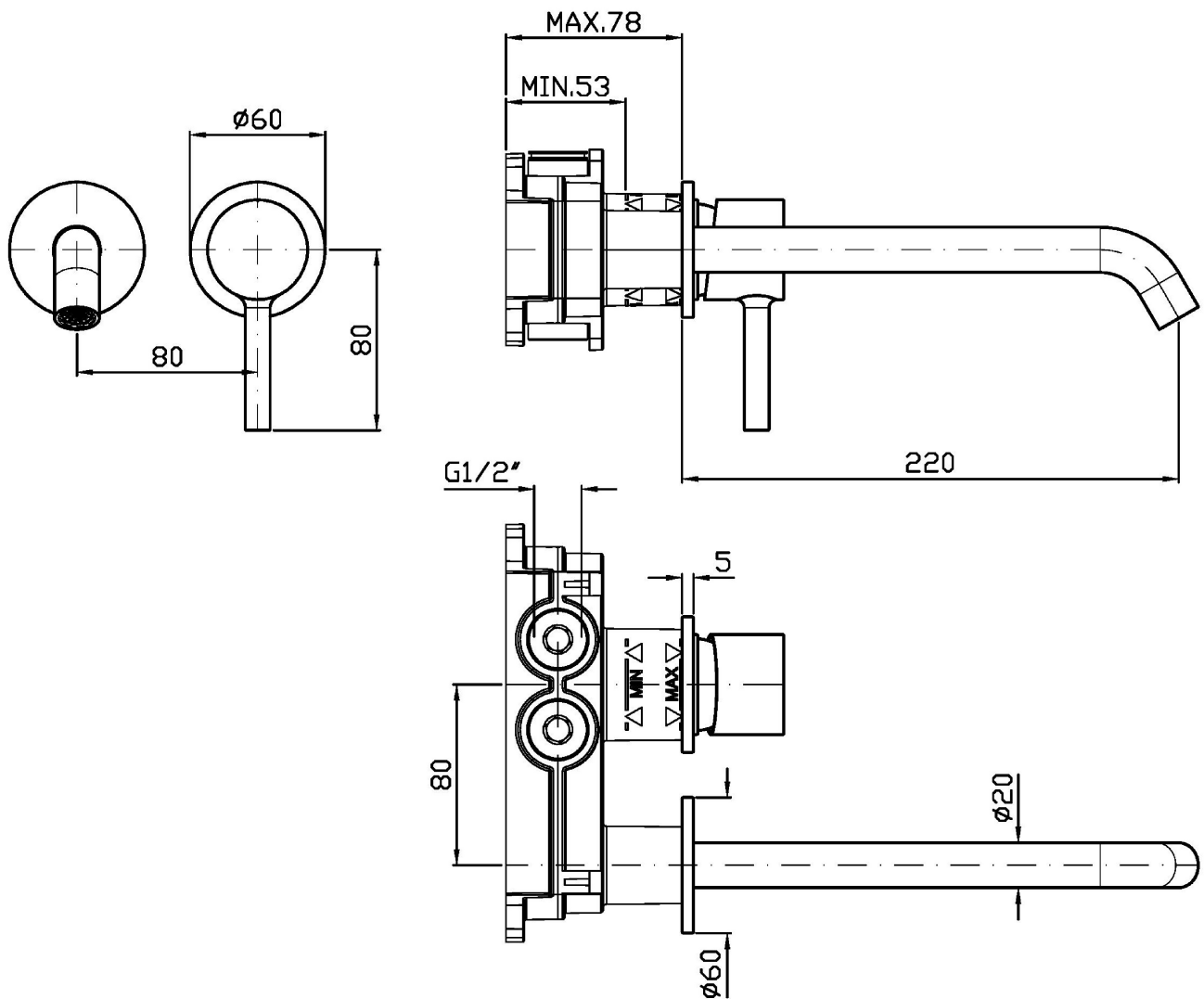
Matt mirto / Matt mirto

Note / Notes

PAN S

ZPA431

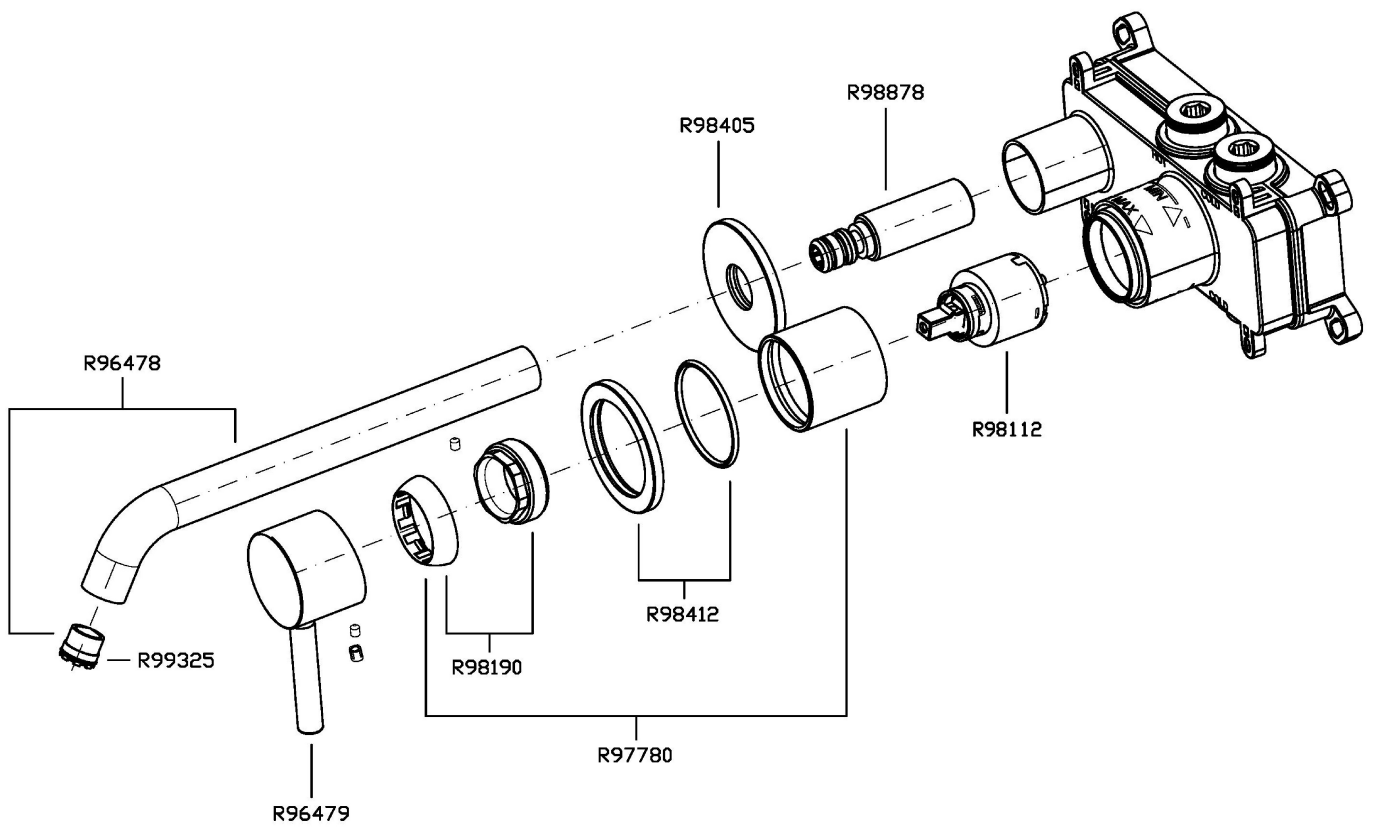
Disegno Complessivo / Overall Drawing



PAN S

ZPA431

Esplosi / Exploded

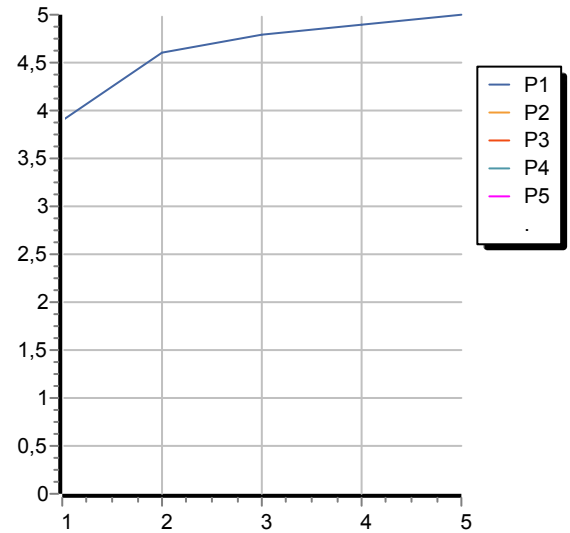


PAN S

ZPA431

Portate / Flowrates (lt/min)

| PRESSIONE PRESSURE | 1 BAR | 2 BAR | 3 BAR | 4 BAR | 5 BAR |
|-----------------------|-------|-------|-------|-------|-------|
| LAVABO BASIN | 3,9 | 4,6 | 4,8 | 4,9 | 5 |
| P1 | | | | | |
| P2 | | | | | |
| P3 | | | | | |
| P4 | | | | | |
| P5 | | | | | |



PAN S

ZPA431

Pesi e Misure / Weights and Sizes

| | | |
|-------------------------------|---------------|----------------|
| Peso (Kg) Weight (lb) | 0,90 (Kg) | 1,98 (lb) |
| Volume test (dc3) - (in3) | 4,05 (dc3) | 247,15 (in3) |
| h (mm) - (in) | 70,00 (mm) | 2,76 (in) |
| L1 (mm) - (in) | 150,00 (mm) | 5,91 (in) |
| L2 (mm) - (in) | 385,00 (mm) | 15,16 (in) |

