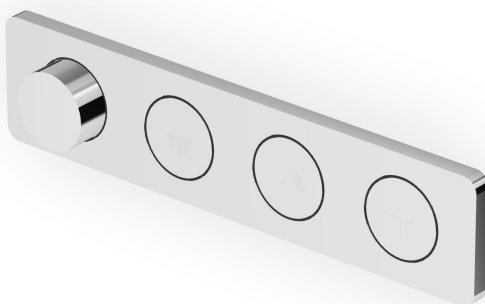


HOOP

ZHO822

Termostatico incasso doccia a 3 pulsanti. / Built-in thermostatic shower mixer, with 3 on-off buttons.

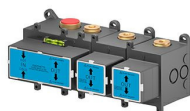


Termostatico incasso doccia da 1/2", combinazione con 3 pulsanti on-off per soffione, doccia e getto a lama. Installazione possibile sia in verticale che in orizzontale.

1/2" built-in thermostatic shower mixer, arrangement with 3 on-off buttons for shower head, handshower and blade jet. Both vertical and horizontal installation possible.

R96703

Parte incasso / Built-in part



HOOP

ZHO822

Finiture / Finishes



Croma / Chrome



C3

Nickel Spazzolato / Brushed Nickel



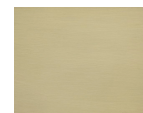
C8

Nickel Lucido / Polished Nickel



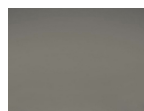
C40

Oro / Gold



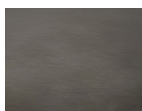
C41

Oro spazzolato / Brushed Gold



C50

Metal Black / Metal Black



C51

Metal Black spazzolato / Brushed Metal Black



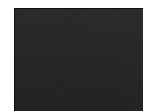
W1

Bianco Opaco Goffrato / Embossed Matt White



N1

Nero Opaco Goffrato / Embossed Matt Black



N6

Nero opaco / Matt black



P21

PVD brushed chocolate / PVD brushed chocolate



P31

Brushed PVD British gold / Brushed PVD British gold



P41

PVD Oro Spazzolato / PVD Brushed Gold



P81

Brushed total black PVD / Brushed total black PVD



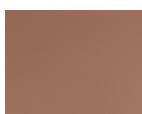
P91

Brushed PVD Copper / Brushed PVD Copper



J3

Glossy gesso / Glossy gesso



K7

Pearl cipria / Pearl cipria



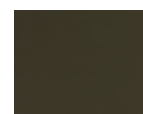
R6

Pearl chili / Pearl chili



V7

Pearl salvia / Pearl salvia



V8

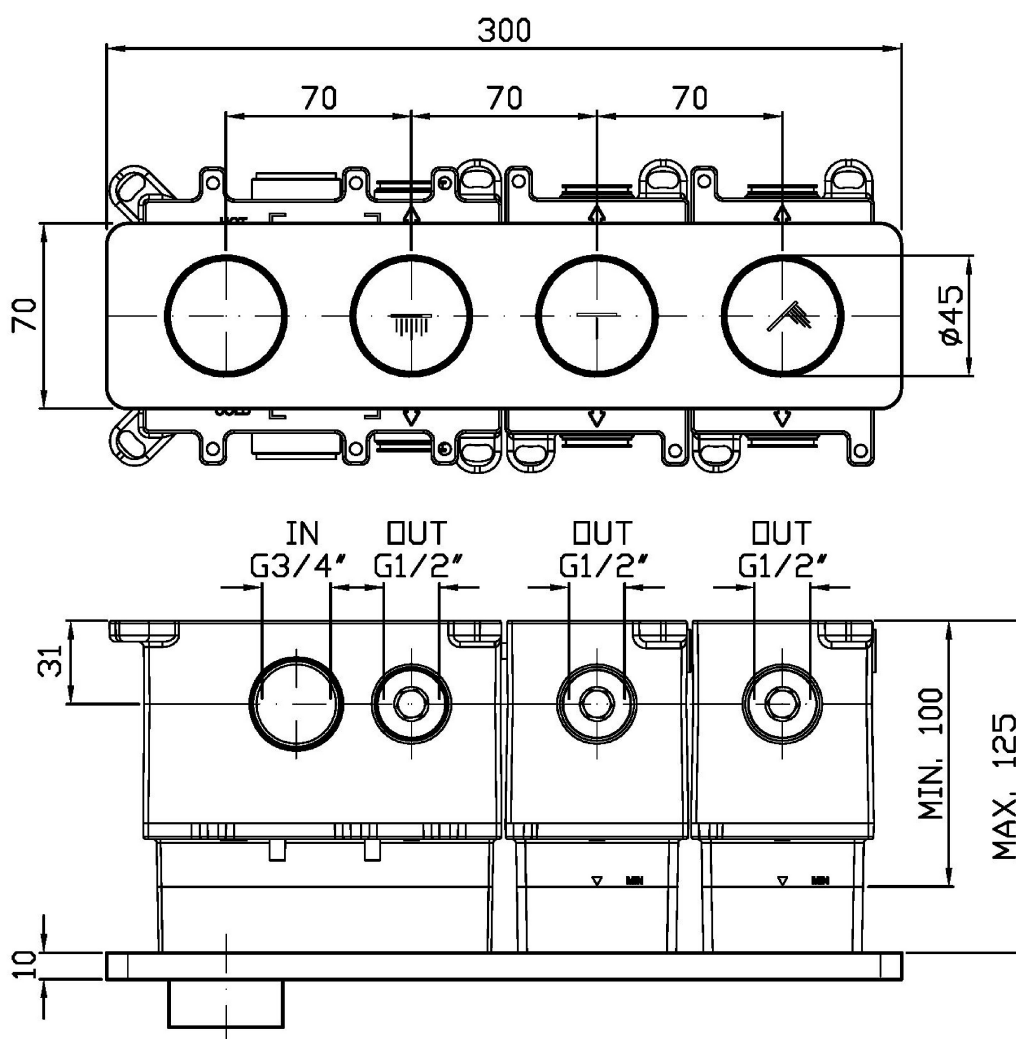
Matt mirto / Matt mirto

Note / Notes

HOOP

ZHO822

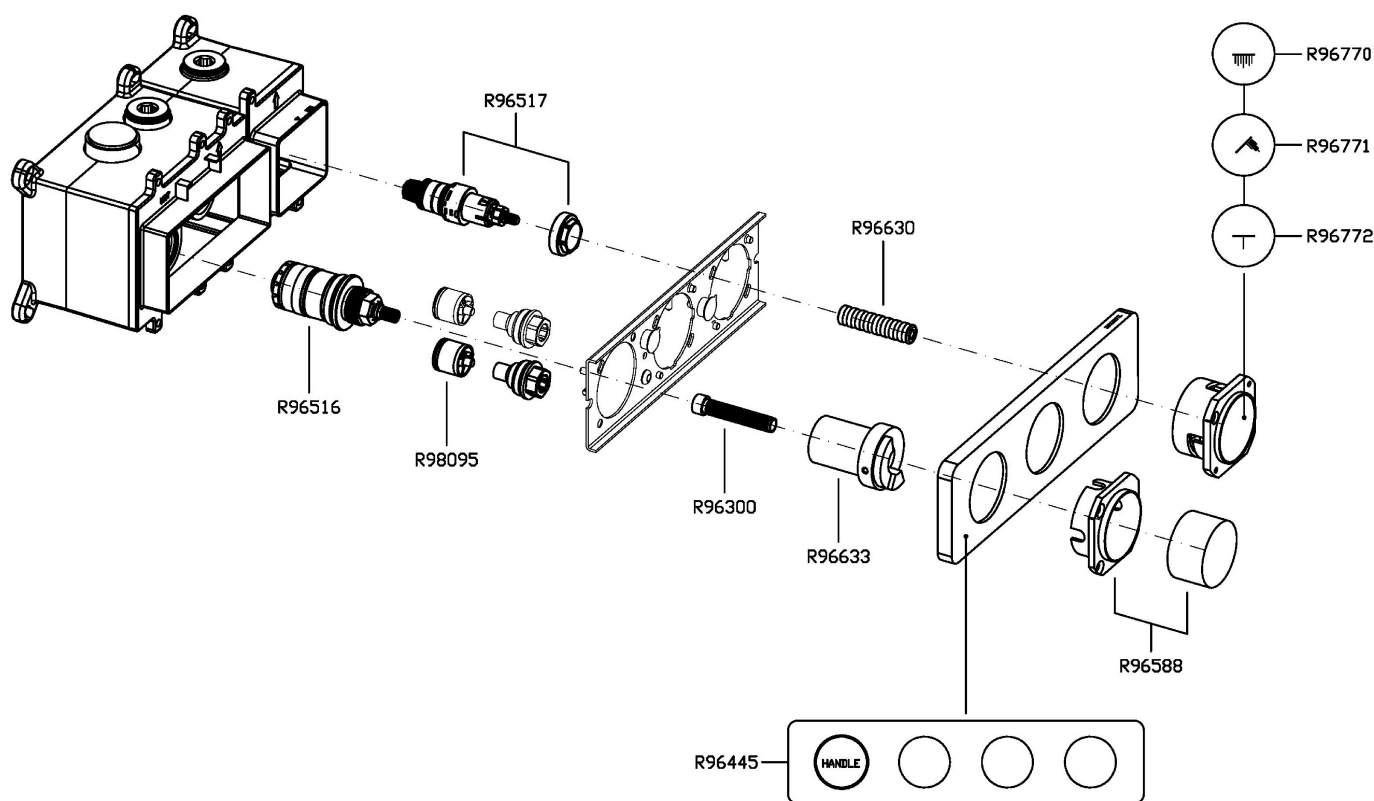
Disegno Complessivo / Overall Drawing



HOOP

ZHO822

Esplosi / Exploded

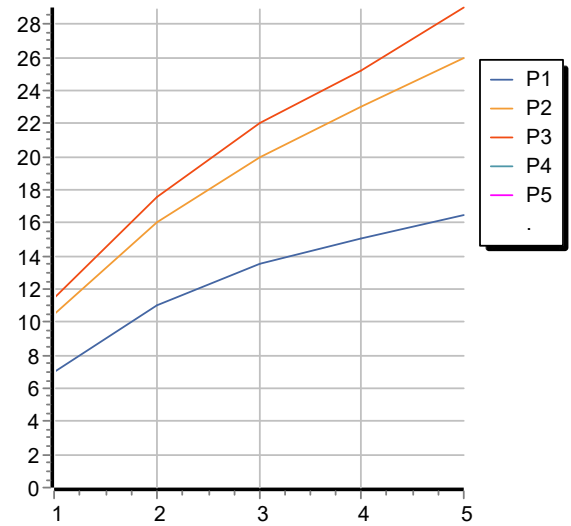


HOOP

ZHO822

Portate / Flowrates (lt/min)

PRESSIONE PRESSURE	1 BAR	2 BAR	3 BAR	4 BAR	5 BAR
1 RUBINETTO APERTO <i>P1</i> 1 TAP OPENED	7	11	13,5	15	16,5
2 RUBINETTO APERTI <i>P2</i> 2 TAPS OPENED	10,5	16	20	23	26
3 RUBINETTO APERTI <i>P3</i> 3 TAPS OPENED	11,5	17,5	22	25,2	29
<i>P4</i>					
<i>P5</i>					



HOOP

ZHO822

Pesi e Misure / Weights and Sizes

Peso (Kg) Weight (lb)	1,95 (Kg)	4,30 (lb)
Volume test (dc3) - (in3)	7,50 (dc3)	457,68 (in3)
h (mm) - (in)	90,00 (mm)	3,54 (in)
L1 (mm) - (in)	250,00 (mm)	9,84 (in)
L2 (mm) - (in)	333,00 (mm)	13,11 (in)

