

AGUABLU

ZA5699.190E 3 hole built-in basin mixer.



3 hole built-in basin mixer. Spout projection 7 5/16". Water flow restricted to 1,2 GPM.

R99500.190E

Assembled rough-in part, interaxe 8"



Finiture / Finishes



Chrome



Brushed Nickel

C3

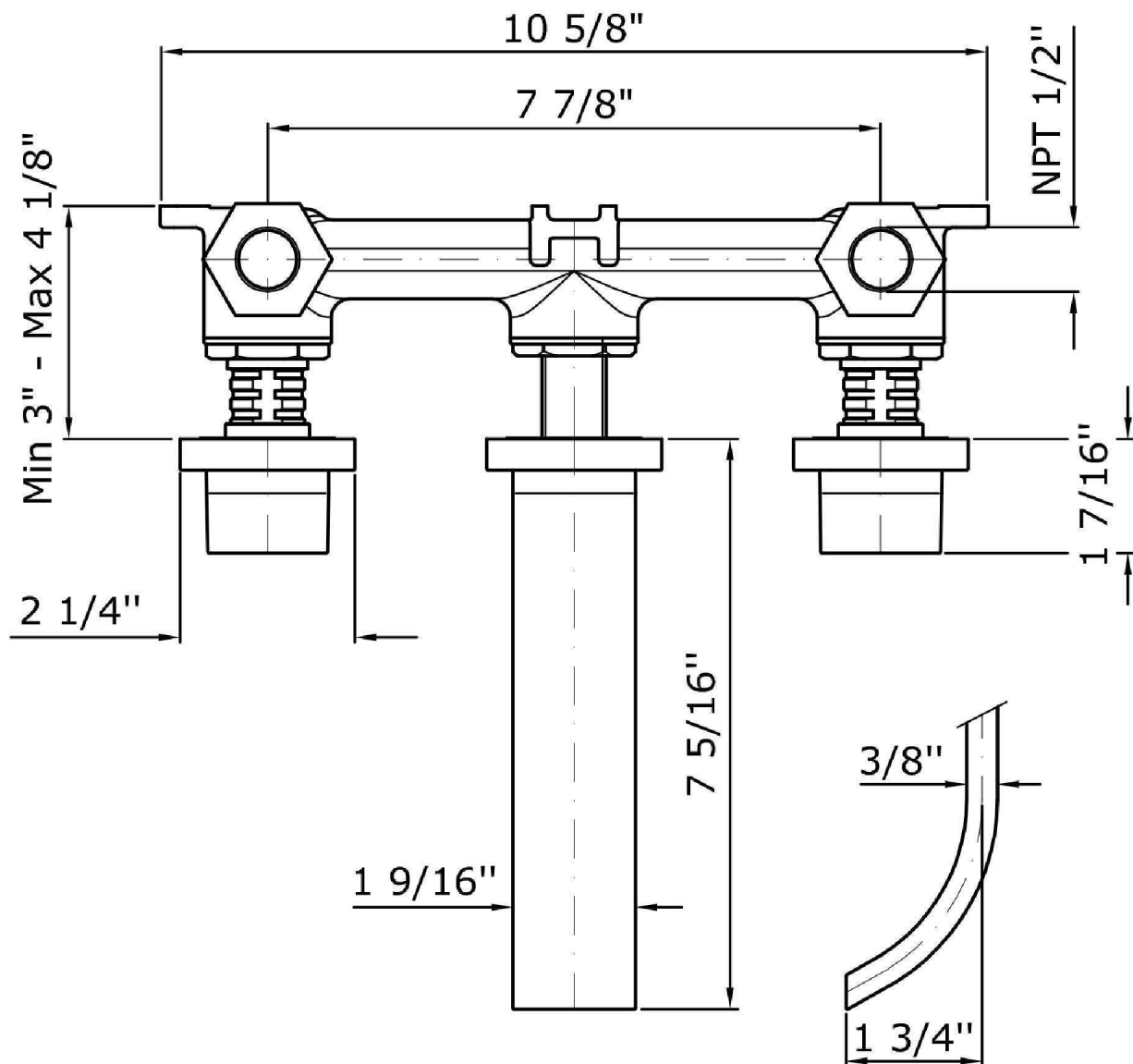


Polished Nickel

C8

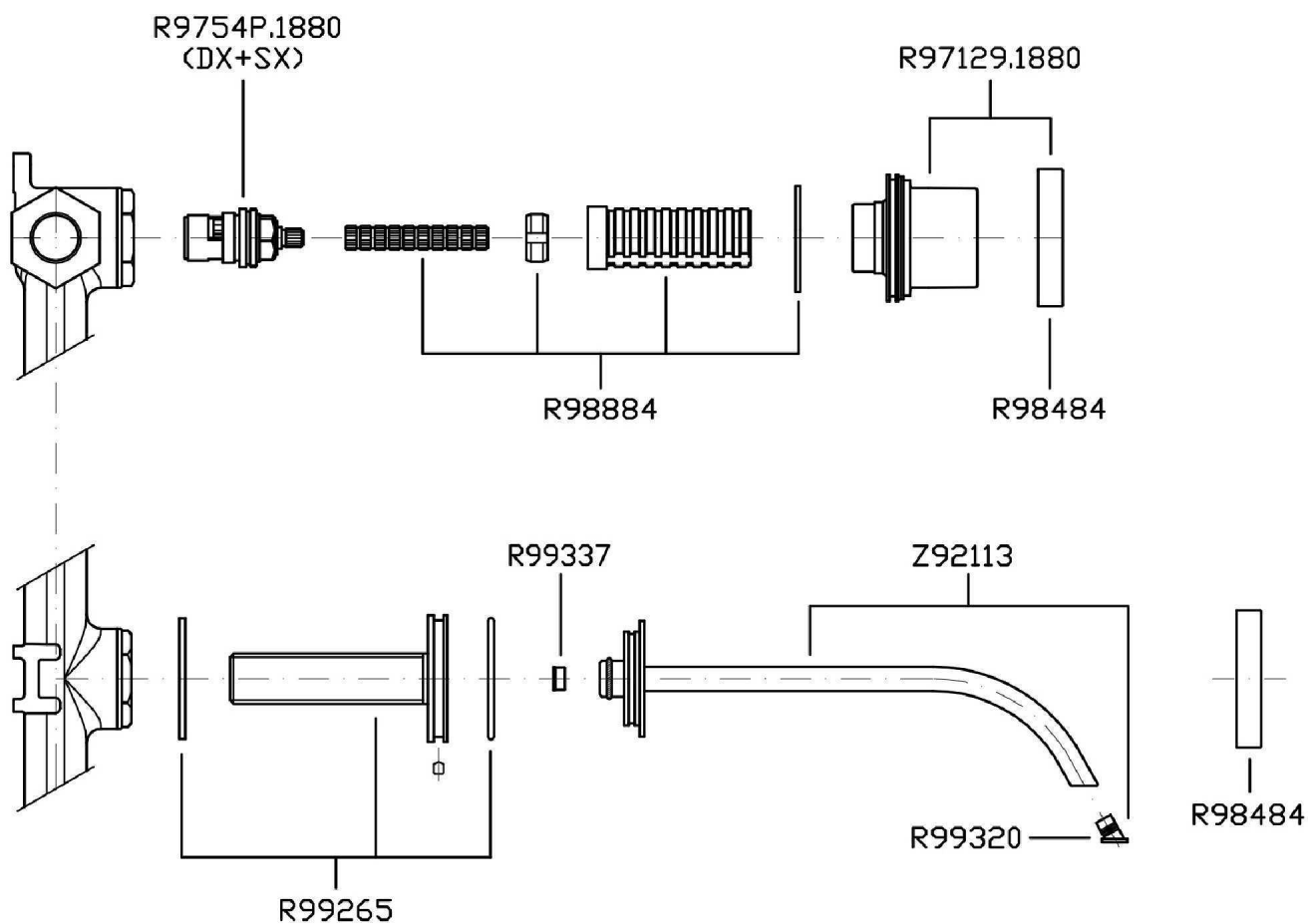
AGUABLU

ZA5699.190E Disegno Complessivo / Overall Drawing



AGUABLU

ZA5699.190E Esplosi / Exploded



AGUABLU

ZA5699.190E Certificazioni / Certifications

USA

IAPMO

AGUABLU

ZA5699.190E Pesì e Misure / Weights and Sizes

Peso (Kg) Weight (lb)	1,88 (Kg)	4,14 (lb)
Volume test (dc3) - (in3)	7,43 (dc3)	453,41 (in3)
h (mm) - (in)	90,00 (mm)	3,54 (in)
L1 (mm) - (in)	250,00 (mm)	9,84 (in)
L2 (mm) - (in)	330,00 (mm)	12,99 (in)

