

PAN S

Z92260

Bocca di erogazione. / Wall spout.



Bocca di erogazione L 160 mm.

Wall spout L 160 mm.

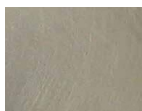
PAN S

Z92260

Finiture / Finishes

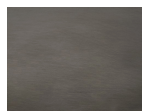


Cromo / Chrome



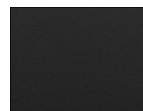
C3

Nickel Spazzolato / Brushed Nickel



C51

Metal Black spazzolato / Brushed Metal Black



N6

Nero opaco / Matt black



P21

PVD brushed chocolate / PVD brushed chocolate



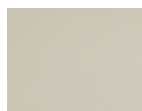
P31

Brushed PVD British gold / Brushed PVD British gold



P81

Brushed total black PVD / Brushed total black PVD



J3

Glossy gesso / Glossy gesso



K7

Pearl cipria / Pearl cipria



R6

Pearl chili / Pearl chili



V7

Pearl salvia / Pearl salvia



V8

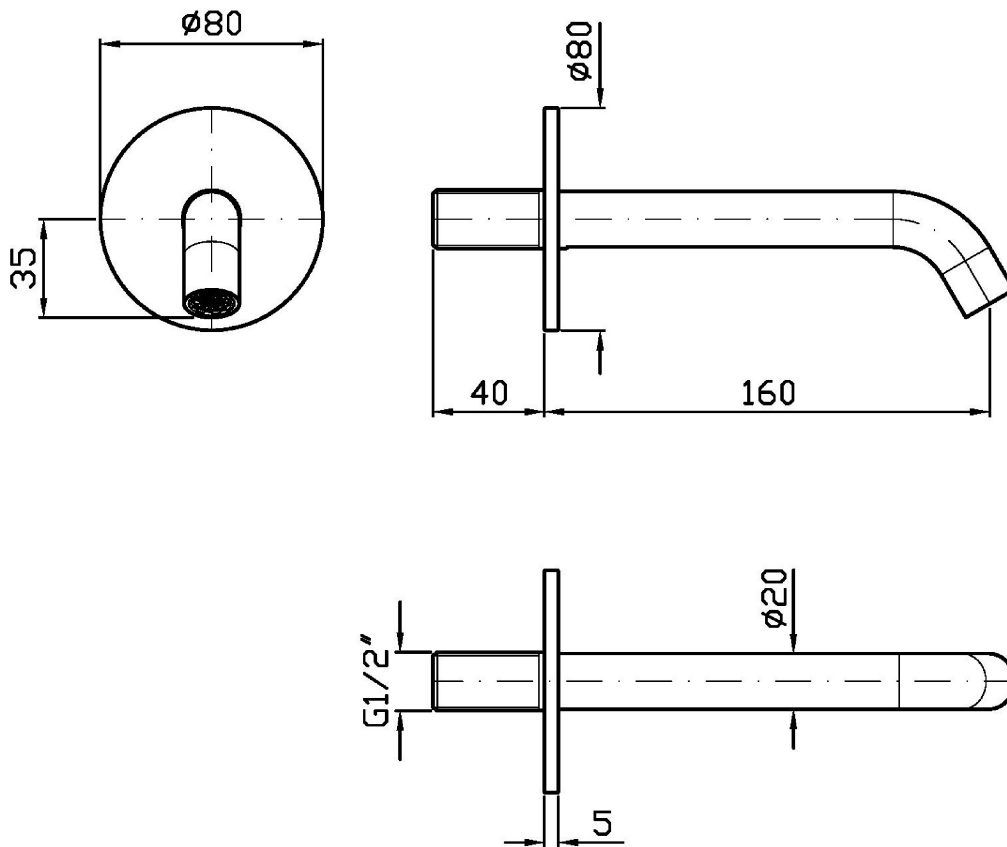
Matt mirto / Matt mirto

Note / Notes

PAN S

Z92260

Disegno Complessivo / Overall Drawing

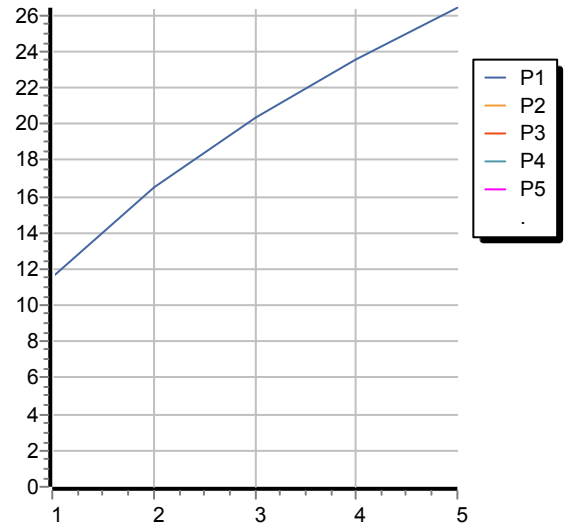


PAN S

Z92260

Portate / Flowrates (lt/min)

PRESSIONE PRESSURE	1 BAR	2 BAR	3 BAR	4 BAR	5 BAR
BOCCA VASCA WALL SPOUT <i>P1</i>	11,5	16,5	20,3	23,5	26,4
<i>P2</i>					
<i>P3</i>					
<i>P4</i>					
<i>P5</i>					



PAN S

Z92260

Pesi e Misure / Weights and Sizes

Peso (Kg) Weight (lb)	0,43 (Kg)	0,95 (lb)
Volume test (dc3) - (in3)	3,32 (dc3)	202,60 (in3)
h (mm) - (in)	93,00 (mm)	3,66 (in)
L1 (mm) - (in)	162,00 (mm)	6,38 (in)
L2 (mm) - (in)	220,00 (mm)	8,66 (in)

