

## INCASSI\_BUILT-IN PARTS

R99508

Parte incasso. / Built-in part.



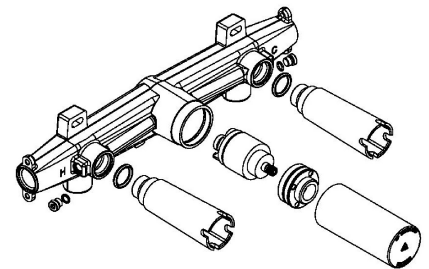
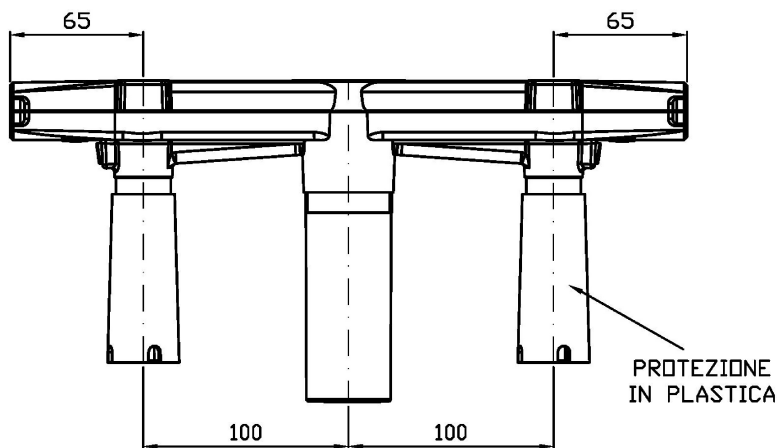
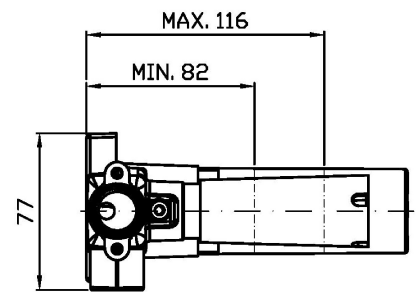
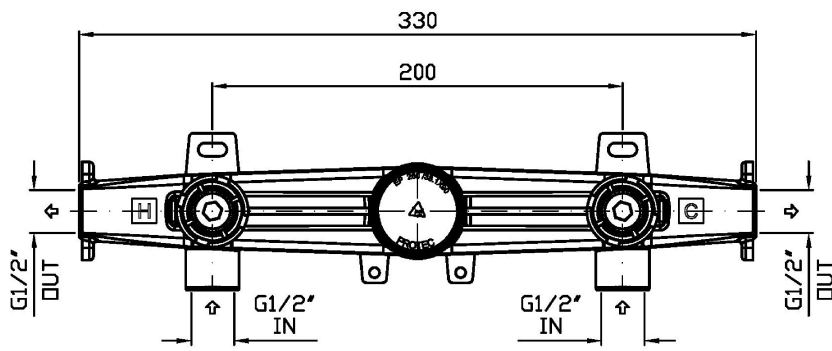
Parte incasso corpo unico, gruppo incasso a 3 fori con deviatore 2 vie.

One piece built-in part for 3 hole bath-shower mixer with 2 way diverter.

## INCASSI\_BUILT-IN PARTS

R99508

Disegno Complessivo / Overall Drawing



## INCASSI\_BUILT-IN PARTS

R99508

Pesi e Misure / Weights and Sizes

Peso ( Kg ) Weight ( lb )	3,66 ( Kg )	8,07 ( lb )
Volume test ( dc3 ) - ( in3 )	11,03 ( dc3 )	673,09 ( in3 )
h ( mm ) - ( in )	135,00 ( mm )	5,31 ( in )
L1 ( mm ) - ( in )	172,00 ( mm )	6,77 ( in )
L2 ( mm ) - ( in )	475,00 ( mm )	18,70 ( in )

