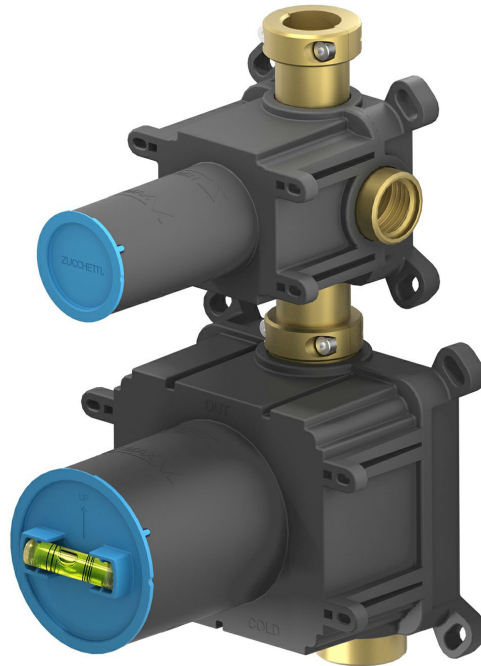


Brand ZUCCHETTI

n/a

INCASSI_BUILT-IN PARTS

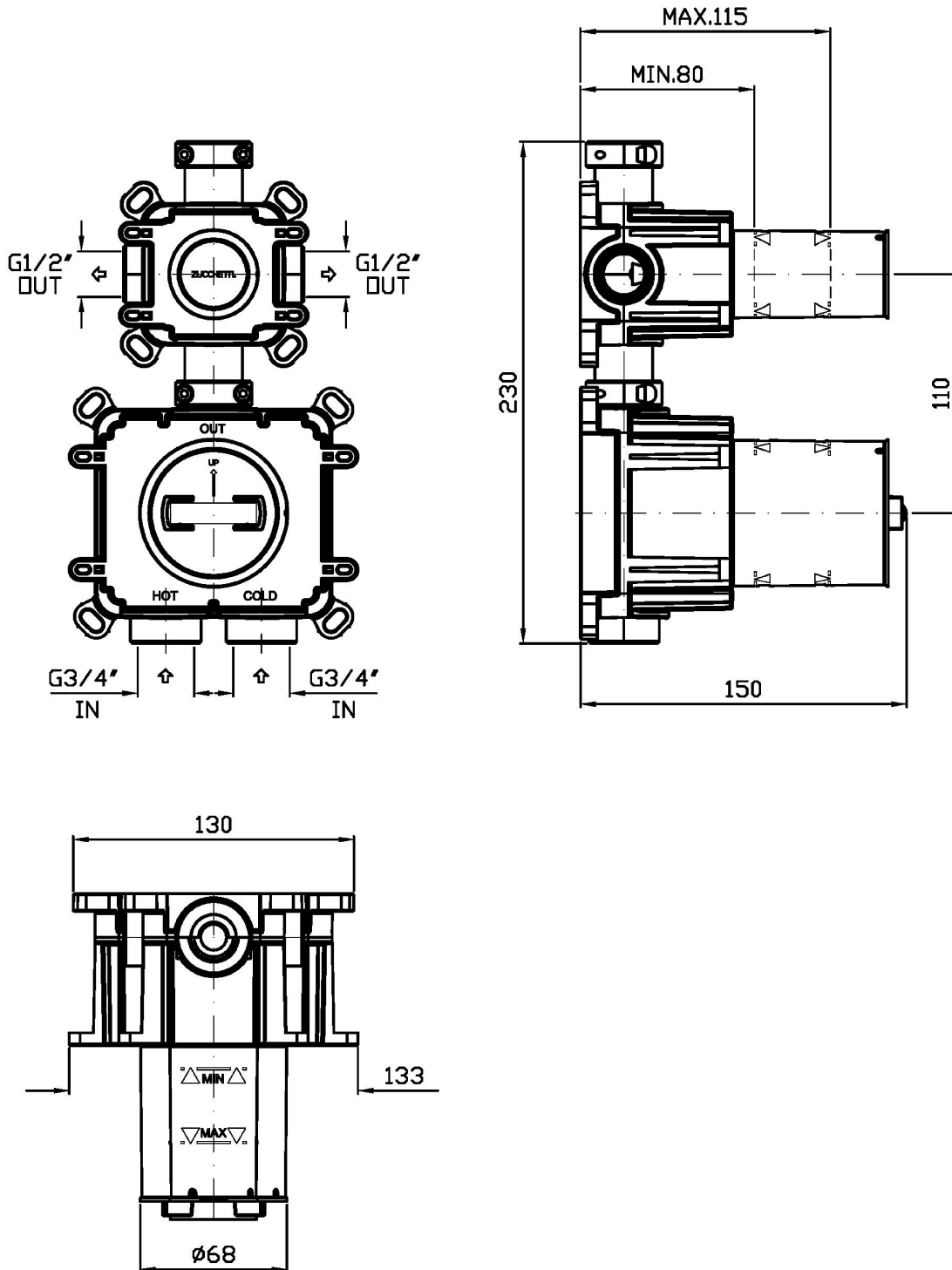
R96730.1900 Rough-in part.



Rough-in part, thermostatic shower mixer with stop valve.
3/4" inlets and 1/2" outlets.
It can be installed both vertically or horizontally.

INCASSI_BUILT-IN PARTS

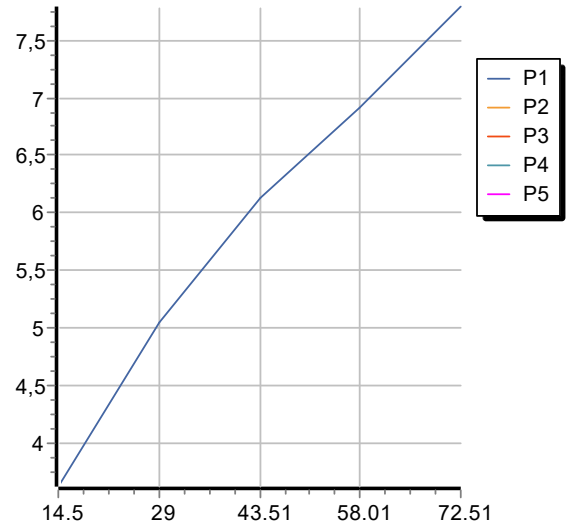
R96730.1900 Overall Drawing



INCASSI_BUILT-IN PARTS

R96730.1900 Flowrates (GPM)

| PRESSURE | gal/min (14.5 PSI) | gal/min (29 PSI) | gal/min (43.51 PSI) | gal/min (58.01 PSI) | gal/min (72.51 PSI) |
|---------------------------------------|-----------------------|---------------------|------------------------|------------------------|------------------------|
| 1 RUBINETTO APERTO P1 1 TAP OPENED | 3,619 | 5,045 | 6,128 | 6,921 | 7,793 |
| P2 | | | | | |
| P3 | | | | | |
| P4 | | | | | |
| P5 | | | | | |



INCASSI_BUILT-IN PARTS

R96730.1900 Weights and Sizes

| | | |
|-------------------------------|---------------|----------------|
| Weight (lb) | 2,90 (Kg) | 6,39 (lb) |
| Volume test (dc3) - (in3) | 8,40 (dc3) | 512,60 (in3) |
| h (mm) - (in) | 160,00 (mm) | 6,30 (in) |
| L1 (mm) - (in) | 140,00 (mm) | 5,51 (in) |
| L2 (mm) - (in) | 375,00 (mm) | 14,76 (in) |

