

Brand ZUCCHETTI

n/a

## INCASSI\_BUILT-IN PARTS

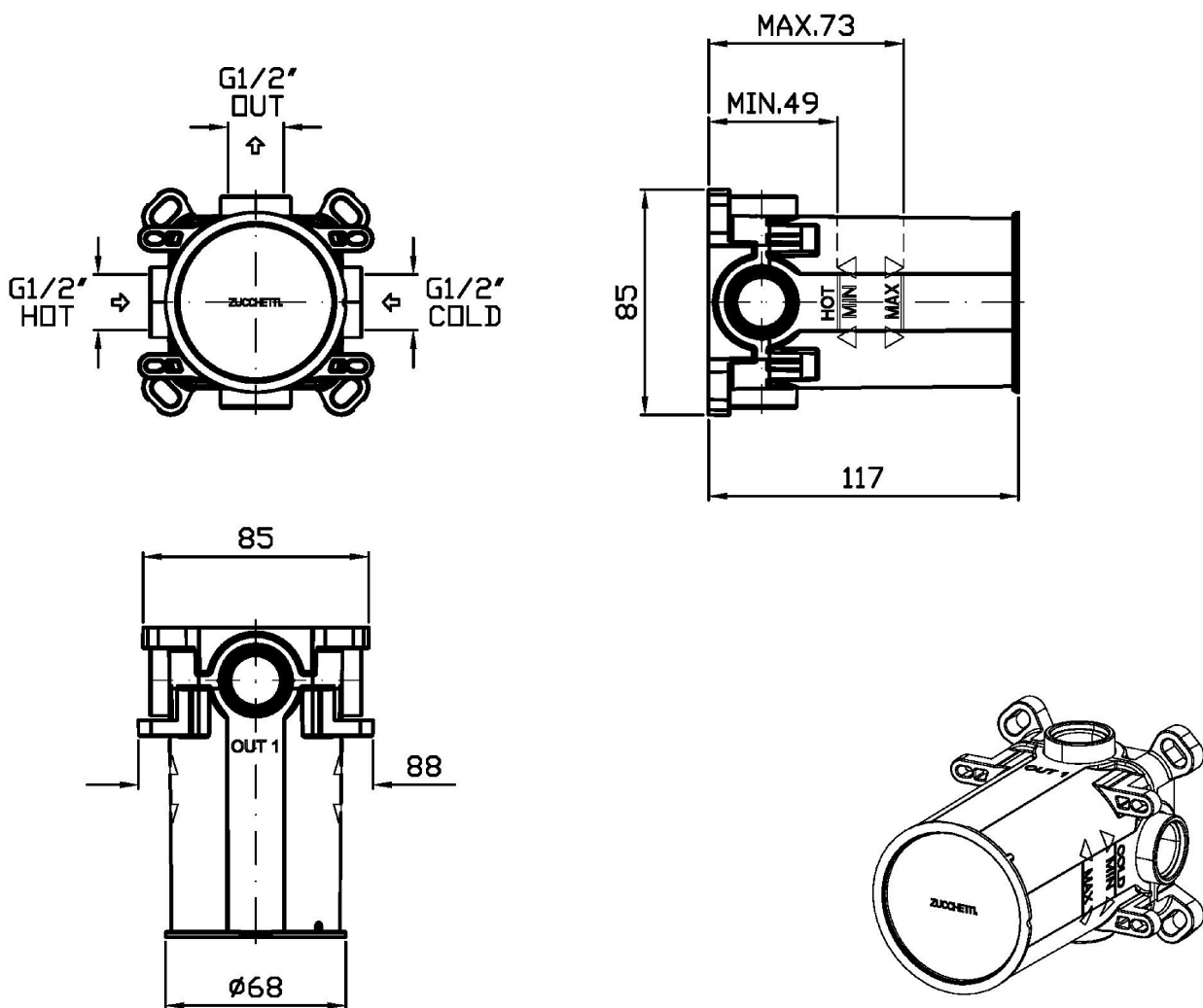
R96710.1900 Rough-in part.



Rough-in part, single lever shower mixer.

## INCASSI\_BUILT-IN PARTS

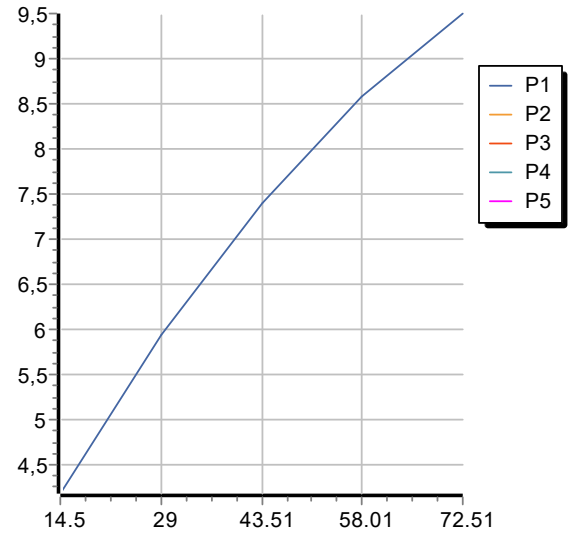
R96710.1900 Overall Drawing



## INCASSI\_BUILT-IN PARTS

R96710.1900 Flowrates (GPM)

PRESSURE	gal/min (14.5 PSI)	gal/min (29 PSI)	gal/min (43.51 PSI)	gal/min (58.01 PSI)	gal/min (72.51 PSI)
USCITA PRIMARIA P1 PRIMARY OUTLET	4,173	5,943	7,396	8,585	9,51
P2					
P3					
P4					
P5					



## INCASSI\_BUILT-IN PARTS

R96710.1900 Weights and Sizes

Weight ( lb )	0,77 ( Kg )	1,70 ( lb )
Volume test ( dc3 ) - ( in3 )	2,00 ( dc3 )	122,05 ( in3 )
h ( mm ) - ( in )	140,00 ( mm )	5,51 ( in )
L1 ( mm ) - ( in )	95,00 ( mm )	3,74 ( in )
L2 ( mm ) - ( in )	150,00 ( mm )	5,91 ( in )

