

## INCASSI\_BUILT-IN PARTS

R96710

Parte incasso / Built-in part



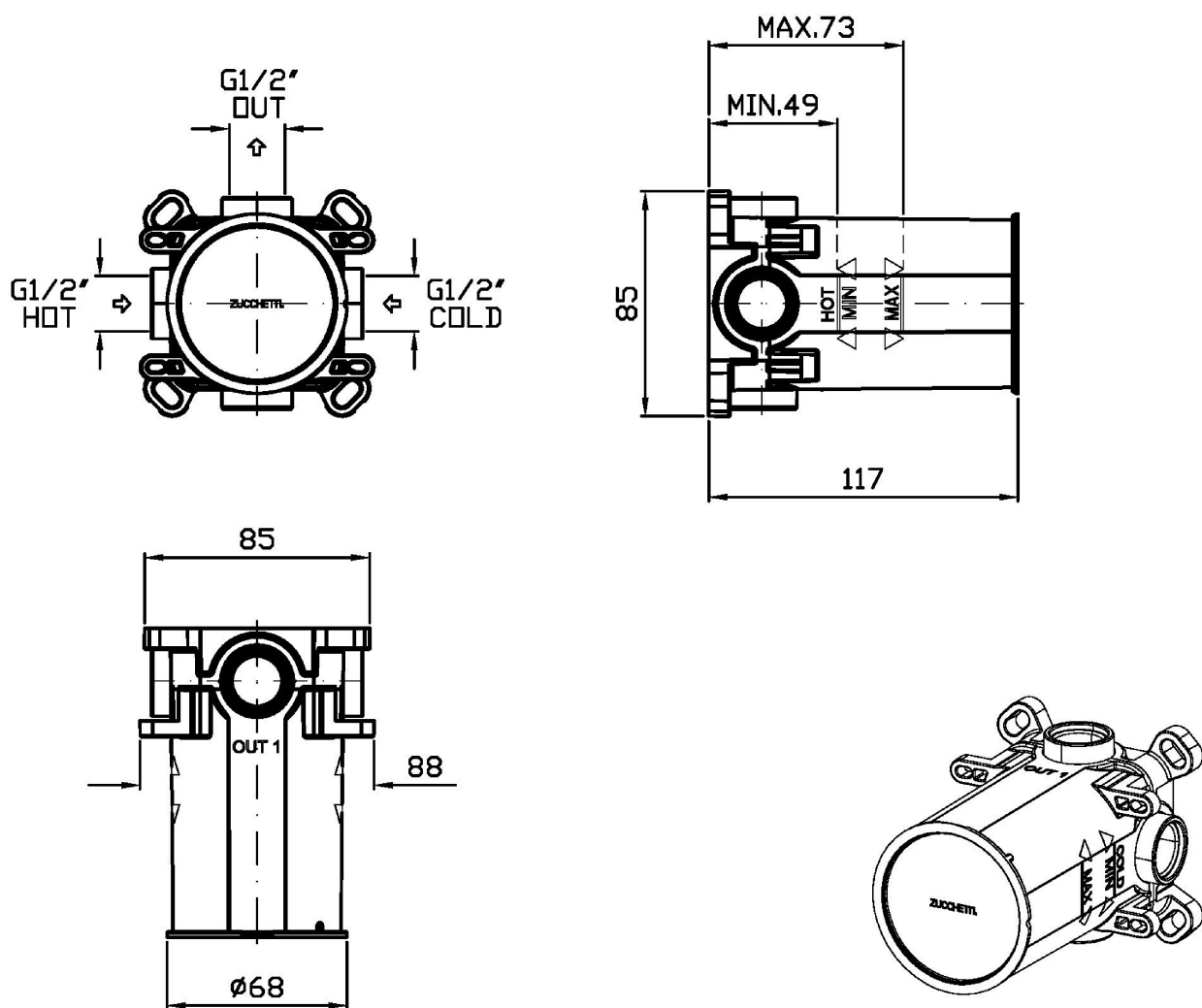
Parte incasso miscelatore monocomando doccia.

Built-in part - single lever shower mixer.

## INCASSI\_BUILT-IN PARTS

R96710

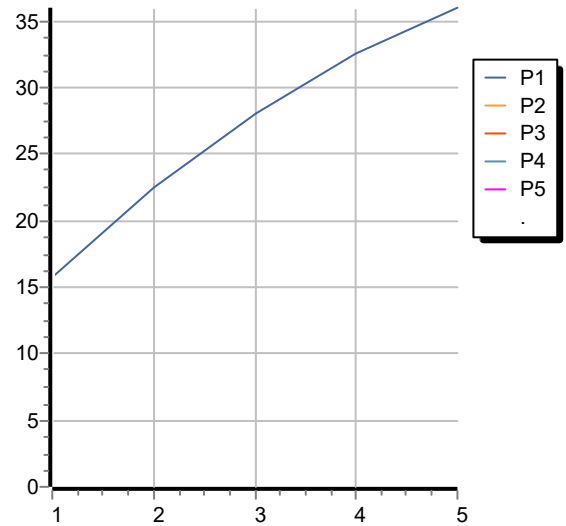
Disegno Complessivo / Overall Drawing



## INCASSI\_BUILT-IN PARTS

R96710 Portate / Flowrates (lt/min)

PRESSIONE PRESSURE	1 BAR	2 BAR	3 BAR	4 BAR	5 BAR
USCITA PRIMARIA PRIMARY OUTLET P1	15,8	22,5	28	32,5	36
P2					
P3					
P4					
P5					



## INCASSI\_BUILT-IN PARTS

R96710 Pesì e Misure / Weights and Sizes

Peso ( Kg ) Weight ( lb )	0,75 ( Kg )	1,65 ( lb )
Volume test ( dc3 ) - ( in3 )	1,18 ( dc3 )	72,01 ( in3 )
h ( mm ) - ( in )	125,00 ( mm )	4,92 ( in )
L1 ( mm ) - ( in )	95,00 ( mm )	3,74 ( in )
L2 ( mm ) - ( in )	100,00 ( mm )	3,94 ( in )

